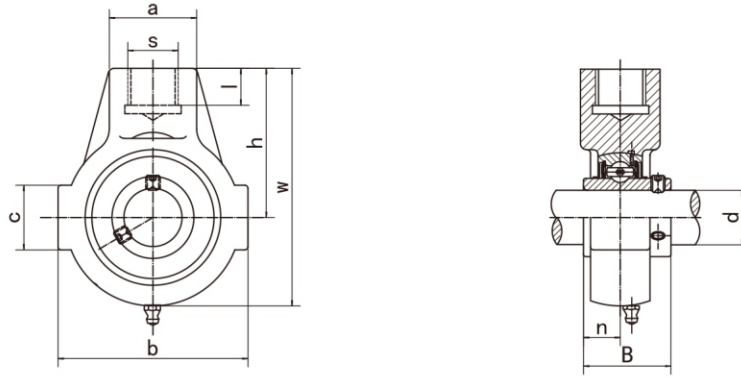


# Screw Conveyor Hanger Units

## UCHE2 (Normal-duty)



| Unit NO.  | Dimensions ( mm / in. )                  |         |         |         |         |         |     |       |        |       | Bearing No. | Housing No. | Weight (kg) |
|---|--|---------|---------|---------|---------|---------|-----|-------|--------|-------|-------------|-------------|-------------|
|   | d  | h       | w       | b       | c       | a       | s   | l     | B      | n     |             |             |             |
| UCHE201<br>201-8                                | 12<br>1/2                                | 58      | 91      | 65      | 38      | 30      | M16 | 21    | 31     | 12.7  | UC201       | HE201       | 0.61        |
| UCHE202<br>202-9<br>202-10                      | 15<br>9/16<br>5/8                        |         |         |         |         |         |     |       |        |       | UC201-8     |             | 0.60        |
| UCHE203<br>203-11                               | 17<br>11/16                              |         |         |         |         |         |     |       |        |       | UC202       | 0.60        |             |
| UCHE204<br>204-12                               | 20<br>3/4                                |         |         |         |         |         |     |       |        |       | UC202-9     | 0.60        |             |
|   |  | 2-9/32  | 3-37/64 | 2-9/16  | 1-1/2   | 1-3/16  |     | 53/64 | 1.2205 | 0.500 | UC202-10    | HE202       | 0.60        |
|   |  |         |         |         |         |         |     |       |        |       | UC203       | HE203       | 0.59        |
|   |  |         |         |         |         |         |     |       |        |       | UC203-11    | HE203       | 0.58        |
|   |  |         |         |         |         |         |     |       |        |       | UC204       | HE204       | 0.57        |
|   |  |         |         |         |         |         |     |       |        |       | UC204-12    | HE204       | 0.57        |
| UCHE205<br>205-13<br>205-14<br>205-15<br>205-16 | 25<br>13/16<br>7/8<br>15/16<br>1         | 64      | 99      | 70      | 38      | 35      | M20 | 22    | 34.1   | 14.3  | UC205       | HE205       | 0.71        |
|   |  |         |         |         |         |         |     |       |        |       | UC205-13    |             | 0.75        |
|   |  | 2-33/64 | 3-57/64 | 2-3/4   | 1-1/2   | 1-3/8   |     | 55/64 | 1.3425 | 0.563 | UC205-14    | HE205       | 0.74        |
|   |  |         |         |         |         |         |     |       |        |       | UC205-15    | HE205       | 0.72        |
|   |  |         |         |         |         |         |     |       |        |       | UC205-16    | HE205       | 0.71        |
| UCHE206<br>206-17<br>206-18<br>206-19<br>206-20 | 30<br>1-1/16<br>1-1/8<br>1-3/16<br>1-1/4 | 72      | 114     | 85      | 40      | 40      | M24 | 24    | 38.1   | 15.9  | UC206       | HE206       | 1.10        |
|   |  |         |         |         |         |         |     |       |        |       | UC206-17    |             | 1.11        |
|   |  | 2-53/64 | 4-31/64 | 3-11/32 | 1-37/64 | 1-37/64 |     | 15/16 | 1.5000 | 0.626 | UC206-18    | HE206       | 1.12        |
|   |  |         |         |         |         |         |     |       |        |       | UC206-19    | HE206       | 1.10        |
|   |  |         |         |         |         |         |     |       |        |       | UC206-20    | HE206       | 1.09        |
| UCHE207<br>207-20<br>207-21<br>207-22<br>207-23 | 35<br>1-1/4<br>1-5/16<br>1-3/8<br>1-7/16 | 76      | 122     | 90      | 40      | 40      | M24 | 24    | 42.9   | 17.5  | UC207       | HE207       | 1.23        |
|   |  |         |         |         |         |         |     |       |        |       | UC207-20    |             | 1.29        |
|   |  | 3       | 4-51/64 | 3-35/64 | 1-37/64 | 1-37/64 |     | 15/16 | 1.6890 | 0.689 | UC207-21    | HE207       | 1.26        |
|   |  |         |         |         |         |         |     |       |        |       | UC207-22    | HE207       | 1.23        |
|   |  |         |         |         |         |         |     |       |        |       | UC207-23    | HE207       | 1.20        |
| UCHE208<br>208-24<br>208-25                     | 40<br>1-1/2<br>1-9/16                    | 85      | 135     | 100     | 45      | 40      | M24 | 24    | 49.2   | 19    | UC208       | HE208       | 1.58        |
|   |  |         |         |         |         |         |     |       |        |       | UC208-24    |             | 1.62        |
|   |  | 3-11/32 | 5-5/16  | 3-15/16 | 1-25/32 | 1-37/64 |     | 15/16 | 1.9370 | 0.748 | UC208-25    | HE208       | 1.59        |
| UCHE209<br>209-26<br>209-27<br>209-28           | 45<br>1-5/8<br>1-11/16<br>1-3/4          | 90.0    | 145     | 110     | 46      | 40      | M24 | 24    | 49.2   | 19    | UC209       | HE209       | 1.97        |
|   |  |         |         |         |         |         |     |       |        |       | UC209-26    |             | 2.07        |
|   |  | 3-35/64 | 5-45/64 | 4-21/64 | 1-13/16 | 1-37/64 |     | 15/16 | 1.9370 | 0.748 | UC209-27    | HE209       | 2.03        |
|   |  |         |         |         |         |         |     |       |        |       | UC209-28    | HE209       | 1.99        |
| UCHE210<br>210-29<br>210-30<br>210-31<br>210-32 | 50<br>1-13/16<br>1-7/8<br>1-15/16<br>2   | 90.0    | 145     | 110     | 46      | 40      | M24 | 24    | 51.6   | 19    | UC210       | HE210       | 1.88        |
|   |  |         |         |         |         |         |     |       |        |       | UC210-29    |             | 2.00        |
|   |  | 3-35/64 | 5-45/64 | 4-21/64 | 1-13/16 | 1-37/64 |     | 15/16 | 2.0315 | 0.748 | UC210-30    | HE210       | 1.95        |
|   |  |         |         |         |         |         |     |       |        |       | UC210-31    | HE210       | 1.90        |
|   |  |         |         |         |         |         |     |       |        |       | UC210-32    | HE210       | 1.86        |